

BATTERY-MATE 60, 80 AND 100

FERRORESONANT BATTERY CHARGERS

SINGLE PHASE

THREE PHASE

The Battery-Mate chargers are engineered for a variety of industrial environments. The power conversion circuitry maximizes battery life by using a constantly tapering output, which is automatically regulated by the "On Charge" battery voltage. The charge current of the Battery-Mate is determined by the state of discharge of the battery. The battery is precisely charged, based on its depth of discharge. The Battery-Mate 100 offers the most flexibility with the ability to provide for multiple shift operations and rated to recharge a 100% discharged battery in 8 hours or less. The Battery-Mate 80 is intended for two shift operations and charges 80% discharged batteries in 8 hours or less. The Battery-Mate 60 is designed for light duty applications and will charge 80% discharged batteries in 10 hours or less.

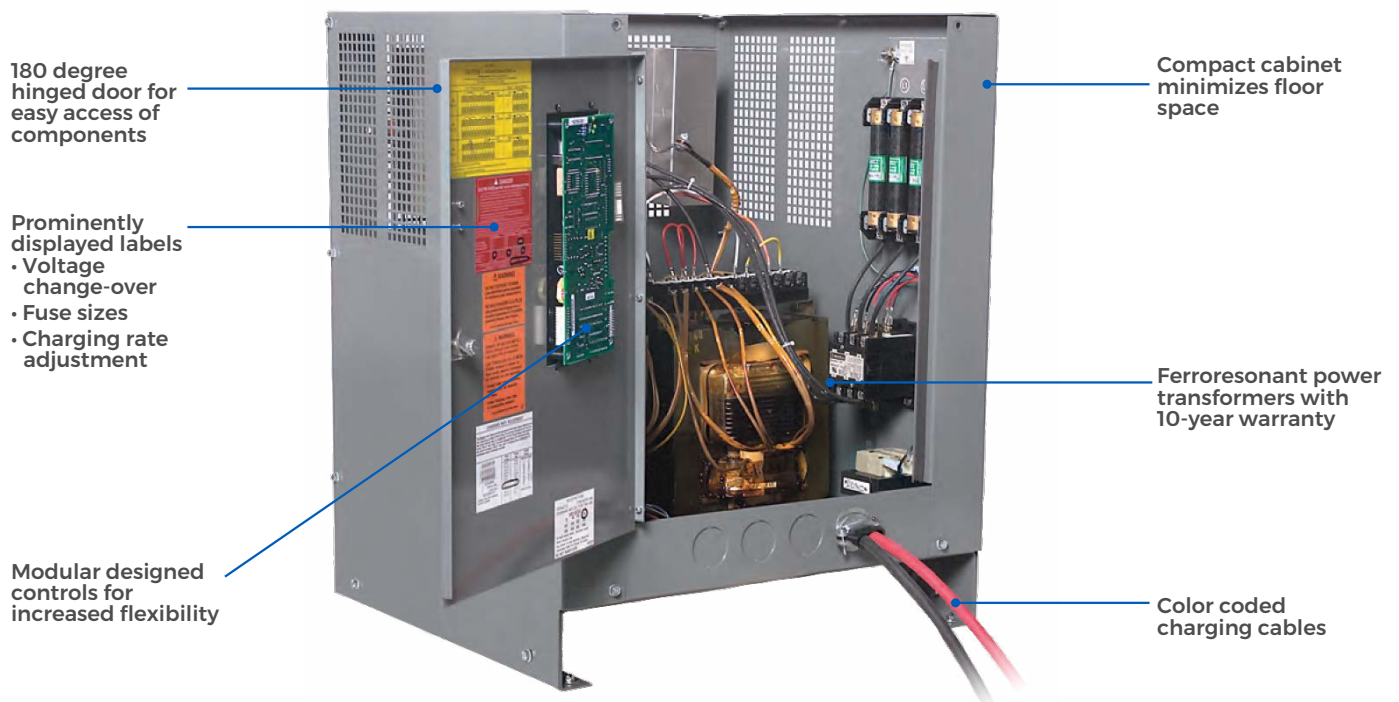
- A choice of 2 interchangeable controls for added flexibility
- Quality-built for little to no maintenance and years of dependable service
- 10-year full warranty (Battery-Mate 100)
- 1-year full warranty and 10-year warranty on transformers and diodes (Battery-Mate 60 and 80)
- Fail-safe design protects batteries
- UL and cUL listed



AMETEK[®]

PRESTOLITE POWER

**CHARGING THE MOTIVE POWER
INDUSTRY FOR OVER 100 YEARS**



Maximum Performance

- Available in a variety of single and three phase models, providing multiple AC input voltages as standard.
- The Battery-Mate chargers cater to a variety of operations and each offer a unique recharge time so that you can select the charger that is best for your application.
 - Battery-Mate 100: Multiple shift operations, 8 hours or less to recharge 100% discharged battery
 - Battery-Mate 80: Two shift operations, 8 hours or less to recharge 80% discharged battery
 - Battery-Mate 60: Light duty operations, 10 hours or less to recharge 80% discharged battery
- Designed to allow controls to be interchanged in minutes for greater control, flexibility and automation of any battery charging operation. Depending on your charging requirements, it can be controlled by either the AC1000 or AC2000 controller.
- In rare instances where changes to the DC output might be required, necessary adjustments are made simple with conveniently located quick-connect jumpers. AC input voltage change-overs take just minutes because of conveniently located taps and quick-connect jumpers.
- Internally protected against overload, short circuit, incorrect battery connection and voltage transients. Shorting of the DC output will not damage the charger or cause fuses to blow. In the event of a component failure, the charging rate will automatically go to "minimum," protecting the battery from damage.

Benefits

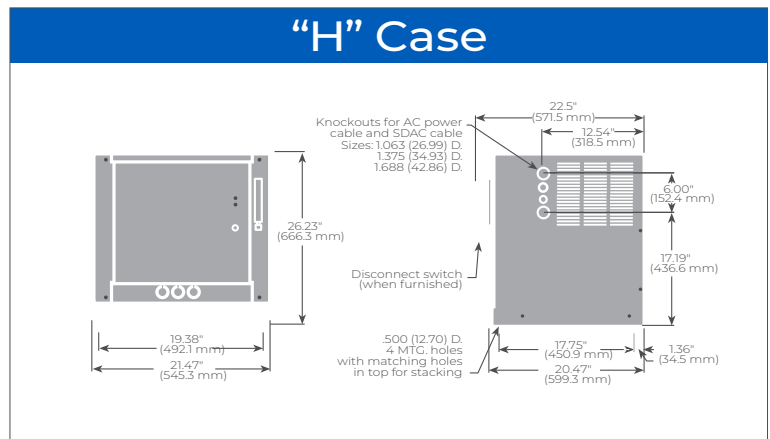
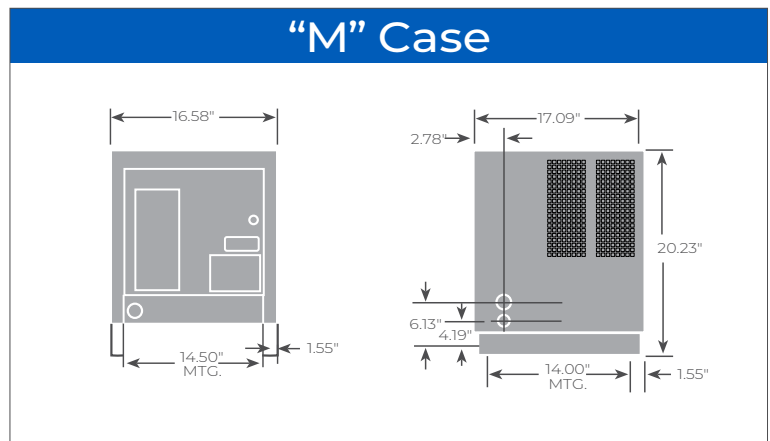
- UL and cUL listed and meets BCI requirements.
- Minimize repair costs with our 10-year original purchaser full warranty for the Battery-Mate 100.
- Keep repair costs at a minimum on the Battery-Mate 60 and 80 with a 10-year original purchaser warranty on transformers and diodes and a 1-year warranty on other components.
- Designed without fans to help eliminate dirt and debris getting in the charger and decreases audible noise for quieter operation.
- Inherently efficient due to its ferroresonant circuitry, the most utilized method of charging lead acid batteries.
- The cabinet is constructed with heavy-gauge sheet metal and finished with a durable, long-lasting powdered polyester baked finish. All case styles can be wall, bench or floor mounted and all cases are stackable to save floor space. The cabinet is designed to provide direct access to the AC power connection points and conveniently facilitates any required service.

BATTERY-MATE 60 MODELS												
Single Phase Models				Max AC Amps RMS					Case	Approximate Weight		
Model Number	Amp Hour	DC Volts	DC Amps	@ 120 VAC	@ 208 VAC	@ 240 VAC	@ 480 VAC	@ 575 VAC		lb	kg	
380M1-6E	380	12	51	8.2	4.7	4.1	2.1	1.7	M	105	48	
510M1-6E	510	12	68	11.2	6.5	5.6	2.8	2.3	M	115	52	
600M1-6E	600	12	80	13	7.5	6.5	3.3	2.7	M	125	57	
250M1-12E	250	24	33	9.9	5.7	4.9	2.5	2.1	M	105	48	
380M1-12E	380	24	51	16.8	9.6	8.4	4.2	3.5	M	105	48	
450M1-12E	450	24	60		11	9.5	4.8	4	M	115	52	
510M1-12E	510	24	68		12	10.4	5.2	4.3	M	130	59	
600M1-12E	600	24	80		14.3	12.5	6.2	5.2	M	130	59	
750M1-12E	750	24	100		18	15.7	7.8	6.5	M	150	68	
880M1-12E	880	24	117		21.7	18.9	9.5	7.9	M	155	70	
965M1-12E	965	24	128		23.7	20.6	10.3	8.6	M	160	73	
510M1-18E	510	36	68		17.3	15.1	7.5	6.3	M	165	75	
600M1-18E	600	36	80		20.4	17.8	8.9	7.5	M	175	79	
750M1-18E	750	36	100		27.6	24	12	10	M	180	82	
880M1-18E	880	36	117		30.6	26.7	13.4	11.2	M	180	82	
510M1-24E	510	48	68		22.3	19.5	9.7	8	M	175	79	
600M1-24E	600	48	80		27.1	23.6	11.8	9.9	M	180	82	
750M1-24E	750	48	100		36.1	31.5	15.7	13.1	M	190	86	
Three Phase Models				Max AC Amps RMS					Case	Approximate Weight		
Model Number	Amp Hour	DC Volts	DC Amps	@ 120 VAC	@ 208 VAC	@ 240 VAC	@ 480 VAC	@ 575 VAC		lb	kg	
510H3-12E	510	24	68		7	6.1	3	2.5	H	200	91	
600H3-12E	600	24	80		7.9	7	3.4	2.9	H	210	95	
750H3-12E	750	24	100		10.3	8.9	4.5	3.7	H	215	98	
880H3-12E	880	24	117		11.4	9.9	5	4.1	H	220	100	
965H3-12E	965	24	128		13.5	11.7	5.9	4.9	H	235	107	
1050H3-12E	1,050	24	140		13.5	11.7	5.9	4.9	H	260	118	
1260H3-12E	1,260	24	168		17	14.8	7.4	6.1	H	290	132	
510H3-18E	510	36	68		10.2	8.9	4.5	3.7	H	210	95	
600H3-18E	600	36	80		11.3	9.8	4.9	4.1	H	255	116	
750H3-18E	750	36	100		13.4	11.6	5.8	4.8	H	290	132	
880H3-18E	880	36	117		16.7	14.5	7.3	6.1	H	290	132	
965H3-18E	965	36	128		18.3	16	8	6.6	H	300	136	
1050H3-18E	1,050	36	140		18.9	16.5	8.3	6.8	H	300	136	
1260H3-18E	1,260	36	168		24.6	21.4	10.7	8.9	H	335	152	
1400H3-18E	1,400	36	186		27.9	24.3	12.1	10.1	H	335	152	
600H3-24E	600	48	80		14.8	12.8	6.4	5.3	H	265	120	
750H3-24E	750	48	100		19.6	17.1	8.5	7.1	H	290	132	
880H3-24E	880	48	117		21.4	18.6	9.3	7.7	H	325	147	
965H3-24E	965	48	128		24.1	21	10.5	8.7	H	340	154	
1050H3-24E	1,050	48	140		26.7	23.2	11.6	9.7	H	340	154	
1260H3-24E	1,260	48	168		34.6	30.1	15.1	12.5	H	370	168	
600H3-40E	600	80	80		23.4	20.4	10.2	8.5	H	335	152	
750H3-40E	750	80	100		32.7	28.5	14.2	11.8	H	375	170	

BATTERY-MATE 80 MODELS												
Single Phase Models				Max AC Amps RMS					Case	Approximate Weight		
Model Number	Amp Hour	DC Volts	DC Amps	@ 120 VAC	@ 208 VAC	@ 240 VAC	@ 480 VAC	@ 575 VAC		lb	kg	
380M1-6C	380	12	65	10.8	6.2	5.4	2.7	2.2	M	95	43	
450M1-6C	450	12	77	12.9	7.4	6.4	3.2	2.7	M	105	48	
510M1-6C	510	12	87	13.6	7.9	6.8	3.4	2.9	M	110	50	
600M1-6C	600	12	102		10.2	8.9	4.4	3.7	M	115	52	
250M1-12C	250	24	43	13.1	7.5	6.6	3.3	2.7	M	105	48	
380M1-12C	380	24	65	21	12.1	10.5	5.3	4.4	M	110	50	
450M1-12C	450	24	77		13.8	12	6	5	M	120	54	
510M1-12C	510	24	87	27.2	15.6	13.6	6.8	5.6	M	120	54	
600M1-12C	600	24	102		18.5	16.1	8.1	6.7	M	145	66	
750M1-12C	750	24	128		25.2	21.9	11	9.1	M	150	68	
880M1-12C	880	24	150		29.2	25.4	12.7	10.6	M	175	79	
965H1-12C	965	24	164		30.8	26.9	13.4	11.2	H	215	98	
510M1-18C	510	36	87		22.1	19.3	9.6	8	M	175	79	
600M1-18C	600	36	102		28	24.4	12.2	10.1	M	180	82	
750M1-18C	750	36	128		35.6	31	15.5	12.9	M	190	86	
880H1-18C	880	36	150		42.2	36.6	18.3	15.3	H	290	131	
965H1-18C	965	36	164		44.3	38.4	19.2	16	H	335	152	
1050H1-18C	1,050	36	179		45	39	19.5	16.3	H	350	159	
1275H1-18C	1,275	36	216		N/A	50.6	25.3	21.1	H	385	175	
450M1-24C	450	48	77		25.7	22.4	11.2	9.3	M	170	77	
510M1-24C	510	48	87		29.9	26.1	13	10.8	M	175	79	
600M1-24C	600	48	102		36	31.4	15.7	13	M	190	86	
750H1-24C	750	48	128		47	40.8	20.4	17	H	310	141	
Three Phase Models				Max AC Amps RMS					Case	Approximate Weight		
Model Number	Amp Hour	DC Volts	DC Amps	@ 120 VAC	@ 208 VAC	@ 240 VAC	@ 480 VAC	@ 575 VAC		lb	kg	
600H3-6C	600	12	102		5.3	4.6	2.3	1.9	H	185	84	
510H3-12C	510	24	87		8.9	7.8	3.9	3.2	H	190	86	
600H3-12C	600	24	102		10.9	9.5	4.8	3.9	H	195	88	
750H3-12C	750	24	128		12.7	11	5.5	4.6	H	200	91	
880H3-12C	880	24	150		15.2	13.3	6.6	5.5	H	240	109	
965H3-12C	965	24	164		16.6	14.5	7.2	6	H	245	111	
1050H3-12C	1,050	24	179		17.5	15.2	7.6	6.3	H	250	113	
1260H3-12C	1,260	24	214		21.3	18.6	9.3	7.7	H	280	127	
510H3-18C	510	36	87		13	11.3	5.7	4.7	H	220	100	
600H3-18C	600	36	102		14.7	12.8	6.4	5.3	H	240	109	
750H3-18C	750	36	128		18.2	15.8	7.9	6.6	H	275	125	
880H3-18C	880	36	150		21.9	19.1	9.5	7.9	H	285	129	
965H3-18C	965	36	164		23.5	20.5	10.2	8.5	H	295	134	
1050H3-18C	1,050	36	179		25.8	22.5	11.2	9.3	H	300	136	
1260H3-18C	1,200	36	214		31.8	27.7	13.9	11.5	H	325	147	
1400H3-18C	1,400	36	238		32.3	28	14	11.7	H	390	177	
380H3-24C	380	48	65		13.3	11.5	5.8	4.8	H	195	88	
510H3-24C	510	48	87		17	14.8	7.4	6.2	H	260	118	
600H3-24C	600	48	102		18.8	16.4	8.2	6.8	H	280	127	
750H3-24C	750	48	128		24	20.9	10.5	8.7	H	285	129	
880H3-24C	880	48	150		27	23.5	11.8	9.8	H	330	150	
965H3-24C	965	48	164		31.1	27.1	13.6	11.3	H	360	160	
1050H3-24C	1,050	48	179		35	30.5	15.3	12.7	H	365	166	
1260H3-24C	1,260	48	214		43.5	37.7	18.9	15.7	H	425	193	
510H3-40C	510	80	87		27.9	24.2	12.1	10.1	H	360	163	
600H3-40C	600	80	102		34.6	30	15	12.5	H	365	166	
750H3-40C	750	80	128		46.6	40.4	20.2	16.9	H	425	193	

BATTERY-MATE 100 MODELS												
Single Phase Models				Max AC Amps RMS					Case	Approximate Weight		
Model Number	Amp Hour	DC Volts	DC Amps	@ 120 VAC	@ 208 VAC	@ 240 VAC	@ 480 VAC	@ 575 VAC		lb	kg	
180M1-6C	180	12	36	5.5	3.1	2.7	1.4	1.1	M	90	41	
250M1-6C	250	12	50	8.2	4.7	4.1	2	1.7	M	95	43	
380M1-6C	380	12	76	13.2	7.6	6.6	3.3	2.8	M	105	48	
450M1-6C	450	12	90	15	8.7	7.6	3.8	3.1	M	110	50	
510M1-6C	510	12	102		10.6	9.2	4.6	3.8	M	115	52	
600M1-6C	600	12	120		11.5	10	5	4.2	M	125	57	
750M1-6C	750	12	150		14.5	12.6	6.3	5.2	M	140	64	
880M1-6C	880	12	176		17.7	15.4	7.7	6.4	M	145	66	
250M1-12C	250	24	50	16.6	9.6	8.3	4.1	3.4	M	105	48	
380M1-12C	380	24	76		14.5	12.6	6.3	5.2	M	120	54	
450M1-12C	450	24	90		16.5	14.4	7.2	6	M	125	57	
510M1-12C	510	24	102		18.8	16.4	8.2	6.8	M	130	59	
600M1-12C	600	24	120		22.7	19.8	9.9	8.2	M	150	68	
750M1-12C	750	24	150		29.1	25.3	12.7	10.5	M	175	79	
880H1-12C	880	24	176		29.8	25.8	12.9	10.8	H	215	98	
250M1-18C	250	36	50		12.9	11.2	5.6	4.7	M	120	54	
380M1-18C	380	36	76		20	17.4	8.7	7.2	M	130	59	
450M1-18C	450	36	90		24.5	21.4	10.7	8.9	M	150	68	
510M1-18C	510	36	102		27.5	24	12	9.9	M	175	79	
600M1-18C	600	36	120		31.1	27.1	13.5	11.3	M	190	86	
750H1-18C	750	36	150		42.5	36.8	18.4	15.4	H	255	116	
880H1-18C	880	36	176		47.8	41.4	20.7					

CONTROL FEATURES	Model	
	AC1000	AC2000
Automatic start/stop	•	•
Timed delay start	•	•
PT/DV/DT termination	•	•
VT termination	•	•
Universal control for 6,12,18, 24,36 cell	•	•
Back-up timers	•	•
AC fail recovery	•	•
Battery/charger mismatch protection	•	•
Refresh charge	•	•
Automatic equalize	•	•
Full battery reject		•
Modular design	•	•
Optional start modes	•	•
Forming cycles	•	•
Extended run time	•	•
Optional equalize modes		•
Data-Mate compatible		•
99 cycle archive		•
Cool down	•	•
Thermal runaway protection		•
80% volts/cell	•	•
AC power/reset charge cycle option	•	



WORLD HEADQUARTERS
 66 Industry Court
 Suite F
 Troy, OH 45373
 Toll Free: +1-800-367-2002
 Fax: +1-800-654-4024

WEBSITE
www.prestolitepower.com

EMAIL
prestolite.sales@ametek.com



AMETEK®
PRESTOLITE POWER
 REP REV 05/2019