

REDUCE REPAIR COSTS AND DOWNTIME



MOTIVE POWER BATTERIES

MADE IN USA WITH US AND IMPORTED MATERIALS

QUALITY SYSTEM
CERTIFIED
ISO 9001
ISO/TS 16949
ENVIRONMENTAL
SYSTEM CERTIFIED
ISO 14001





Significantly reduces repair costs and downtime.

NOW BATTERY REPAIR IS AS EASY AND SAFE AS:

- 1** Disconnect Deka E-Z LINK cell using wrench.
- 2** Remove old cell and insert new cell.
- 3** Reconnect Deka E-Z LINK cell.

PLUS...
Terminal cable replacement is quick and easy.

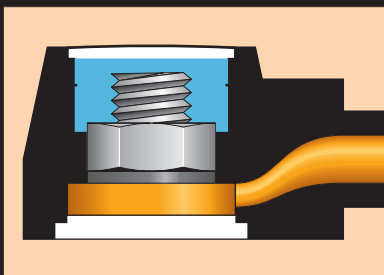
**AVAILABLE IN
9 TO 33 PLATE SIZES**



The E-Z LINK option simplifies industrial battery repair. Because connector burning is not necessary, special skills, equipment and training are not needed. Open flame around the battery is eliminated. This reduces the hazards associated with battery repair.

IMPORTANT SAFETY NOTE: ALWAYS WEAR EYE PROTECTION WHEN WORKING AROUND BATTERIES. BATTERIES CAN EXPLODE CAUSING SEVERE INJURY.

FEATURES AND BENEFITS



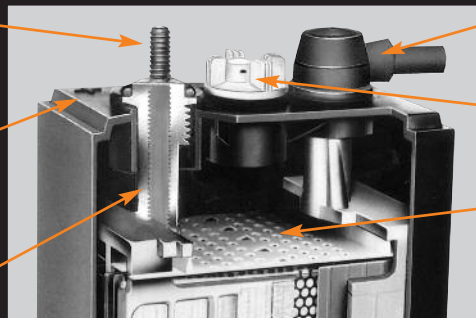
- **Highly Conductive Copper Core**...Improves current flow, battery performance and recharging, while lowering resistance.
- **Self-Locating Stud, Lock Washer & Nut Combination**... Ensures firm, positive connections with lower resistance, and fast cell and cable replacement with no special tools or training. Also maintains torque longer than other designs.
- **Special "No-Corrode" Gel**...Retards corrosion, keeping connections clean and lubricated for quick, safe and easy replacement.
- **Smooth, Round Design**...Eliminates snags and catches on battery cables for safer handling.
- **Complete Insulation**...Provides safer "Dead-Top" feature with no exposed connectors.

Deka precision construction provides optimum performance and long life.

Brass Stud – High conductivity, low resistance, self-locating.

Cover – Heat-sealed with lead insert bushing prevents leakage and voltage to ground.

Post – Special alloy for increased strength and conductivity.



E-Z LINK Copper Core Connector – For fast and easy cell changes.

Vent Cap – Quarter-turn bayonet-type simplifies watering and inspection.

Separator Guard – White color increases visibility for fast electrolyte check. Solid insulating fingers extend between plate lugs to prevent shorting between plates and strap.



e-mail: epmmotive@eastpenn-deka.com www.dekabatteries.com



East Penn Manufacturing Co. Lyon Station, PA 19536-0147 Phone: 610-682-6361 Fax: 610-682-4781 Order Hotline: 610-682-3260